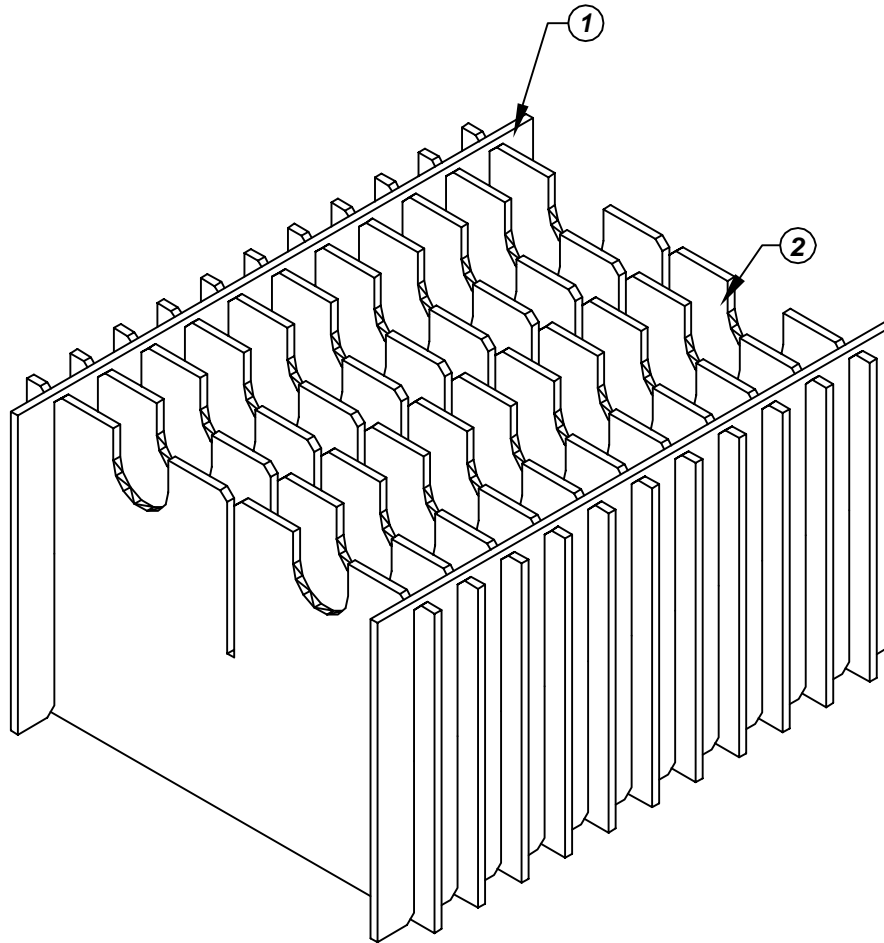
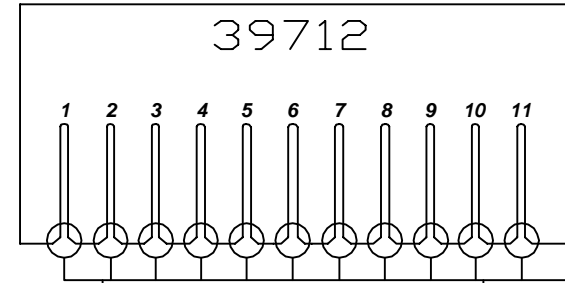


Assembly Instructions for - 37332

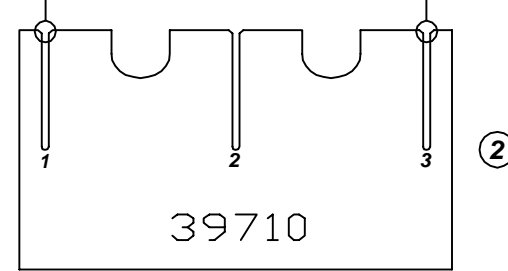


Folded Long Partition



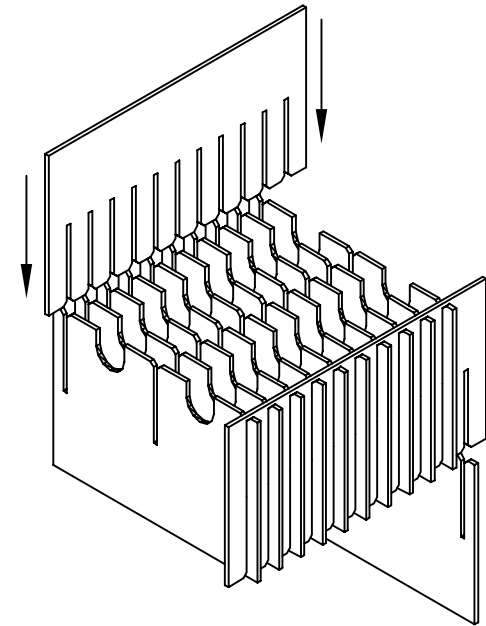
①

Use only the circled slots for partition assembly



②

Folded Short Partition



Made in America

F/N ①	Part # 39712	Dimensions: 20-1/4" x 18-5/8"	Description: 460-HLP-12 Long Partition	Qty: 2
F/N ②	Part # 39710	Dimensions: 20-1/4" x 14-3/4"	Description: 460/462/464 - HSP Short Partition	Qty: 11

37332 - 12 Cell Inplant Handler Cell Size - 10" x 12-3/4" x 1-1/4"

Notes:
For use with the following storage container & lid:
37524 - Storage Container
37554 - Lid

PROTEKTIVE PAK
13520 MONTE VISTA AVENUE, CHINO, CA 91710
PHONE (909) 627-2578, FAX (909) 363-7331
ProtektivePak.com



DRAWING NUMBER
IPH-37332

DATE
Nov.
2007