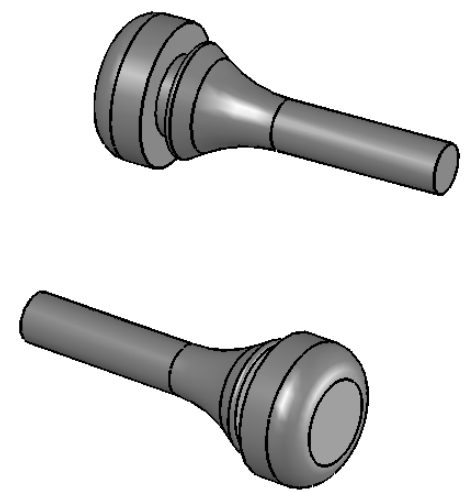
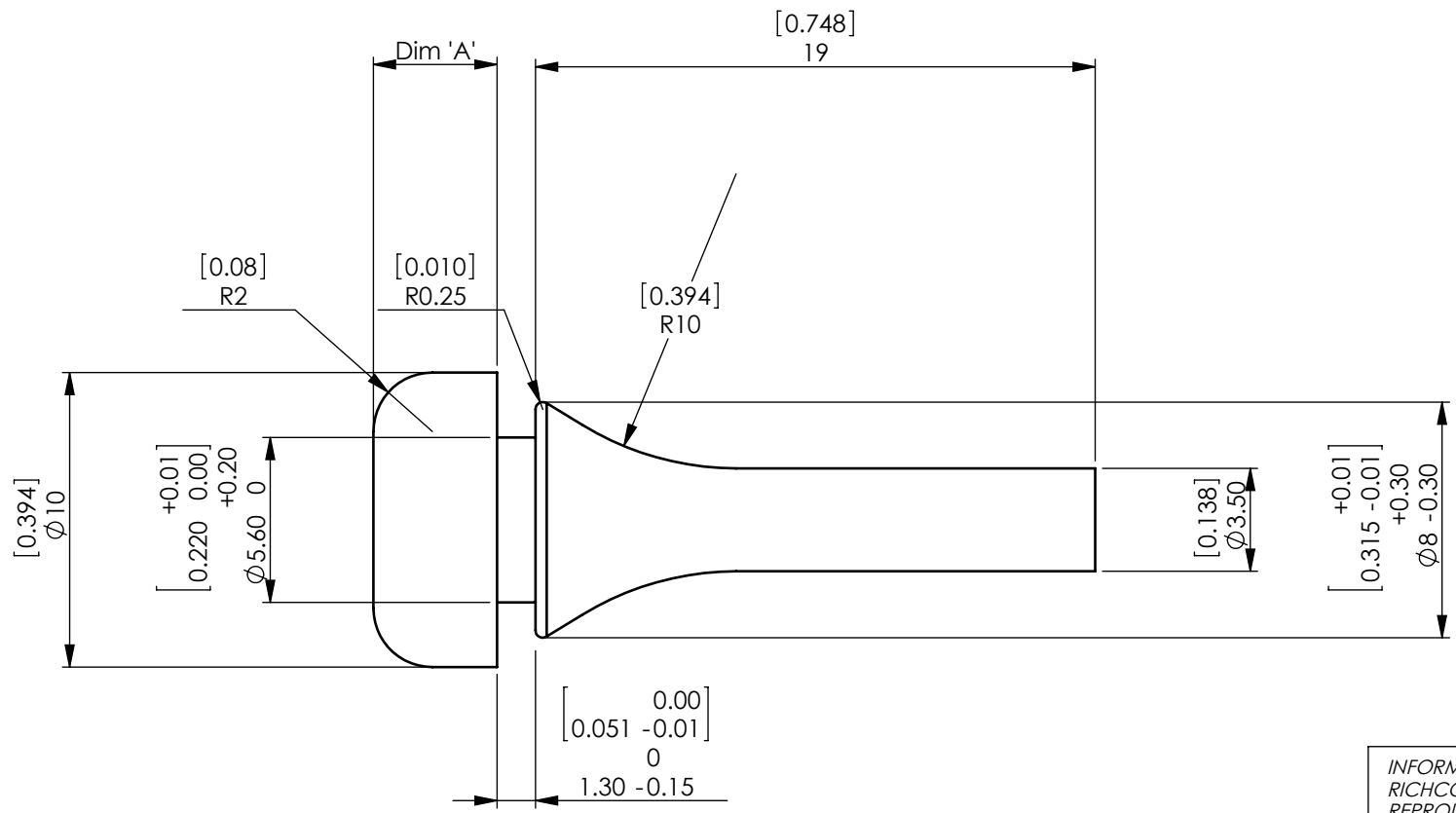


REV.	MODIFICATION.	DATE	DRN
01	PRODUCTION RELEASE	13/03/06	TC
02	ECR 2006-079	08/05/06	TC
03	CO2010269	01/07/08	SF



NOTES!

- Material To Comply with RoHS legislation
- Fits hole diameter 6.0mm MIN, 6.35mm MAX  
panel thickness 1.5mm

PART No	"A" DIMENSION	COLOUR	RMS No
BPM-1	[.118+/-0.001] 3.0 +/- 0.25	GREY	RMS-321
BPM-2	[.165 +/- 0.01] 4.2 +/- 0.25	BLACK	RMS-321
BPM-3BK	[.196 +/- 0.01] 5.0 +/- 0.25	BLACK	RMS-321

INFORMATION CONTAINED IN THIS DOCUMENT IS CONFIDENTIAL TO RICHCO INTERNATIONAL Co. Ltd. AND MAY NOT BE DISCLOSED OR REPRODUCED IN WHOLE OR PART WITHOUT THEIR WRITTEN CONSENT.

	ALL DIMENSIONS IN mm & [INCHES] GENERAL TOLERANCES ±0.25 [±0.01] UNLESS OTHERWISE STATED 1 DECIMAL PLACE ±0.25 [±0.01] 2 DECIMAL PLACES ± 0.10 [± 0.004] ANGULAR ±1°	THIRD ANGLE 
--	---	-----------------

MATERIAL:		COLOUR:	
SILICONE RUBBER 65 +/- 5 SHORE A		SEE TABLE	
DESCRIPTION:		PART No:	
PULL MOUNT BUMPER		SEE TABLE	
DRG No:	NPR No:	Mass:(g)	SHEET SIZE
06-026	2004-340 - Grey 2004-341 - Black 2007-239 - Black	0.75 - 341 0.60 - 340	A4
DRN	DATE	CHKD	DATE
TC	14/10/05	TC	13/03/06
SCALE		SHEET No.	
NTS		1 OF 1	