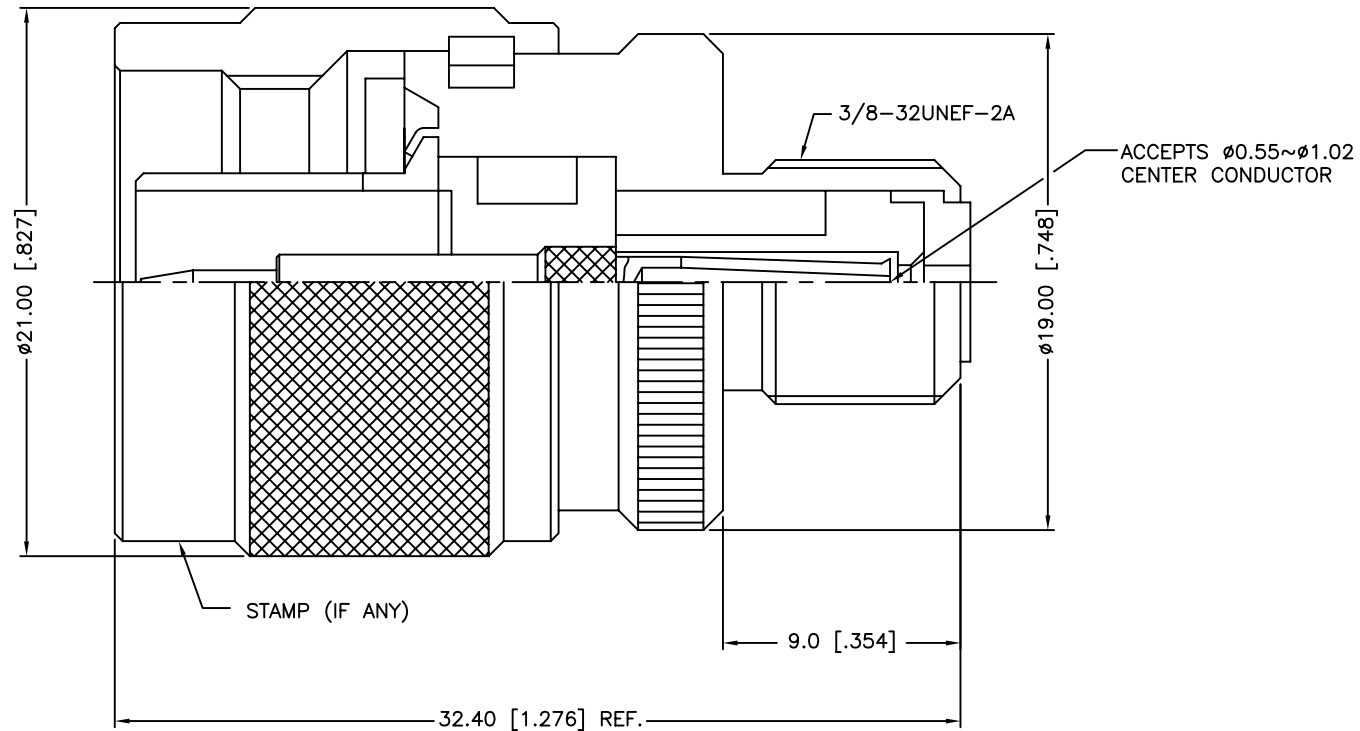


REV.	DATE	ECR NO.	DESCRIPTION
NC	06/22/11	XXXXXX	INITIAL RELEASE



9	GASKET	SILICONE	RED	1	<small>UNLESS OTHERWISE SPECIFIED DIMENSIONS ARE IN MILLIMETERS. DIMENSIONS IN [ ] ARE IN INCHES AND FOR CUSTOMER REFERENCE ONLY.</small> <small>UNLESS OTHERWISE SPECIFIED TOLERANCES FOR MILLIMETERS ARE:</small> 0.5 - 8mm $\pm$ 0.20mm 8 - 30mm $\pm$ 0.40mm 30 - 120mm $\pm$ 0.50mm <small>UNLESS OTHERWISE SPECIFIED TOLERANCES FOR INCHES ARE:</small> .020 - .315 = $\pm$ 0.007" .315 - 1.180 = $\pm$ 0.015" 1.180 - 4.724 = $\pm$ 0.020" DO NOT SCALE DRAWING	APPROVALS	DATE	<h1 style="color: blue;">Amphenol Connex</h1>		
8	INSULATOR	PTFE	NATURAL	1		DRAWN	M.ZHANG		06/22/11	PART DESCRIPTION <b>ADAPTER, N (75 Ohm) MALE TO F FEMALE</b>
7	GASKET	SILICONE	RED	1		CHECKED				
6	RETAINER RING	SUS304	NATURAL	1		ISSUED				
5	BODY	BRASS	NICKEL	1		SHEET	1 OF 1			
4	CONTACT PIN	BERYLLIUM COPPER	GOLD	1		CAD FILE	C:/CONNEX/242156-75.DWG			
3	INSULATOR	PTFE	NATURAL	1		PART NO.			242156-75	
2	CONTACT BODY	BRASS	NICKEL	1		DWG. NO.			242156-75.DWG	
1	SHELL	BRASS	NICKEL	1		REV.	NC	SIZE	A	
DESCRIPTION		MATERIAL	FINISH	QTY	SCALE			NA		