

Spezifikation für Freigabe / specification for release

Kunde / customer : _____

Artikelnummer / part number : **748425245**

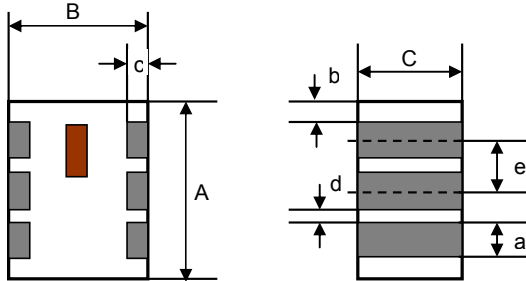
LF



Bezeichnung : **SMD-Balun WE-BAL**
 description : **Chip-Balun WE-BAL**

DATUM / DATE : 2004-10-11

A Mechanische Abmessungen / dimensions:



size	0805	
A	2,0 ± 0,1	mm
B	1,25 ± 0,1	mm
C	0,85 ± 0,1	mm
a	0,3 ± 0,1	mm
b	0,2 ± 0,1	mm
c	0,3 + 0,1/ - 0,2	mm
d	0,35 ± 0,1	mm
e	0,65 ± 0,05	mm

B Elektrische Eigenschaften / electrical properties:

C Abbildung/ appearance:

Eigenschaften / properties	Testbedingungen / test conditions		Wert / value	Einheit / unit	tol.
Frequenzbereich/ frequency range		f	2400 ... 2500	MHz	
Einfügedämpfung/ insertion loss	2400 ... 2500 MHz		1,0	dB	max.
Einfügedämpfung/ insertion loss	2400 ... 2500 MHz		0,53	dB	typ
VSWR	2400 ... 2500 MHz		2,0		max.
VSWR	2400 ... 2500 MHz		1,22		typ
Phasendifferenz/ phase difference			180	°	± 10°
Amplitudendifferenz/ amplitude difference			2,0	dB	max.
Eingangsimpedanz/ unbalanced impedance		Z	50	Ω	typ.
Ausgangsimpedanz/ balanced impedance		Z	50	Ω	typ.



D Prüfgeräte / test equipment:

Agilent 8719 ES

E Testbedingungen / test conditions:

Luftfeuchtigkeit / humidity: 50 ~ 70%
 Umgebungstemperatur / temperature: 20°C ~ 25°C

F Werkstoffe & Zulassungen / material & approvals

Basismaterial / base material: Keramik / ceramic
 Kontaktmaterial / contact plating: AG + Ni + Sn

G Eigenschaften / general specifications:

Betriebstemp. / operating temperature: -40°C - +85°C
 Lagerbedingungen / storage conditions: 15°C ~ 35°C
 45 ~ 75% RH
 Leistung/ power capacity : 3 W max.

Freigabe erteilt / general release:	Kunde / customer		
	_____	_____	_____
Datum / date	Unterschrift / signature		
_____	Würth Elektronik		
_____	_____	_____	_____
Geprüft / checked	Kontrolliert / approved		
_____	AWe	Version 1	04-10-11
_____	Name	Änderung / modification	Datum/date

Würth Elektronik eiSos GmbH & Co.KG

D-74638 Waldenburg · Max-Eyth-Str. 1 · Germany · Telefon (+49) (0) 7942 - 945 - 0 · Telefax (+49) (0) 7942 - 945 - 400
<http://www.we-online.de>

Spezifikation für Freigabe / specification for release

Kunde / customer :

Artikelnummer / part number : **748425245**

LF



Bezeichnung : **SMD-Balun WE-BAL**

description : **Chip-Balun WE-BAL**

WÜRTH ELEKTRONIK

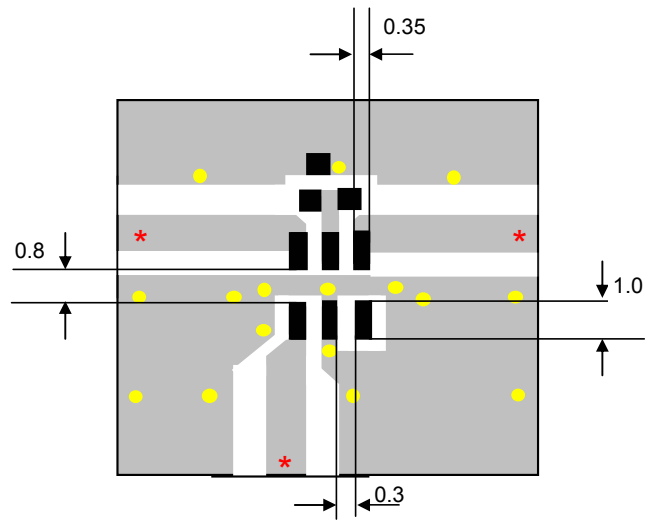
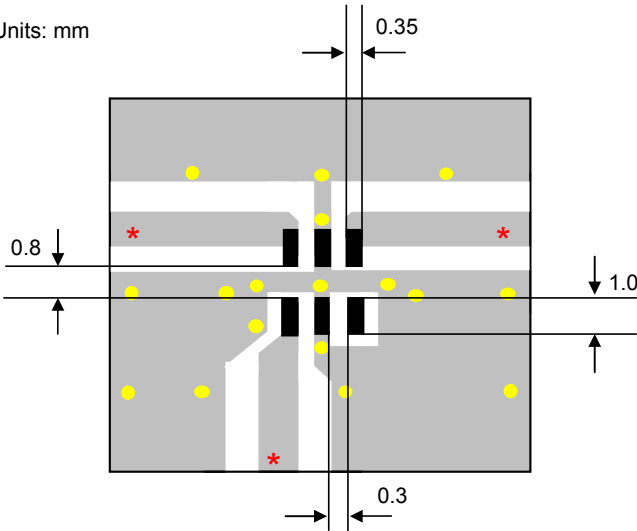
DATUM / DATE : 2004-10-11

H Lötadempfehlung / solder pads:

ohne/ without DC-feed:

mit/ with DC-feed:

Units: mm

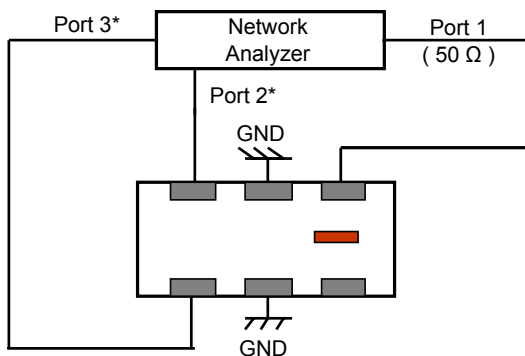


* Line width should be designed to match 50Ω characteristic impedance, depending on PCB material and thickness.

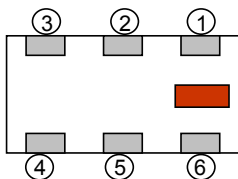
** Bypass capacitor should be connected when feeding DC power

- Solder Resist
- Land
- Through-hole (Ø0.3)

K Messdiagramme/ measuring diagrams:



* Impedance for ports 2 and 3 = ½ (Balanced Impedance)



No.	Terminal Name	No.	Terminal Name
①	Unbalanced Port	④	Balanced Port
②	GND or DC feed + RF GND	⑤	GND
③	Balanced Port	⑥	NC

Würth Elektronik eiSos GmbH & Co.KG

D-74638 Waldenburg · Max-Eyth-Str. 1 · Germany · Telefon (+49) (0) 7942 - 945 - 0 · Telefax (+49) (0) 7942 - 945 - 400
<http://www.we-online.de>

Spezifikation für Freigabe / specification for release

Kunde / customer : _____
Artikelnummer / part number : **748425245**
Bezeichnung : **SMD-Balun WE-BAL**
description : **Chip-Balun WE-BAL**

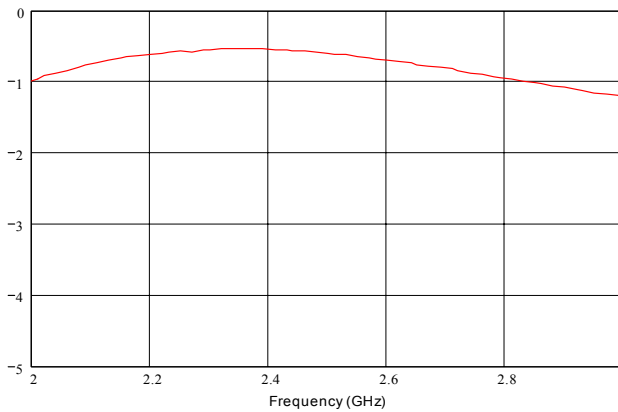
LF



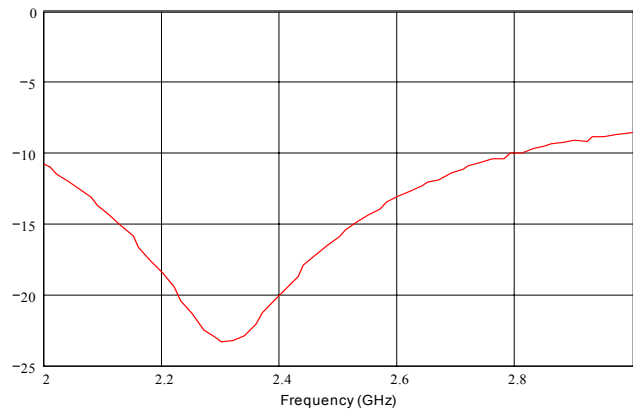
DATUM / DATE : 2004-10-11

L Messdiagramme / measuring diagrams:

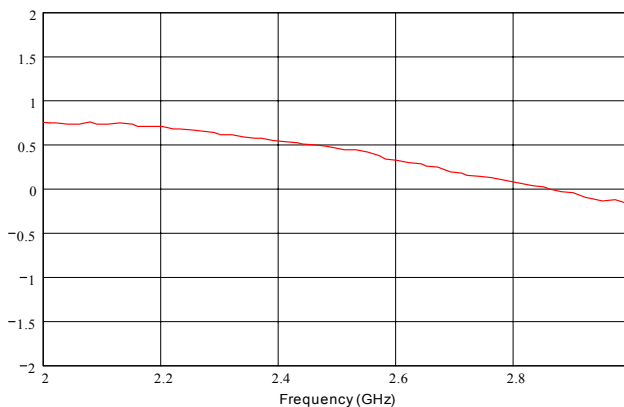
Insertion Loss (dB)



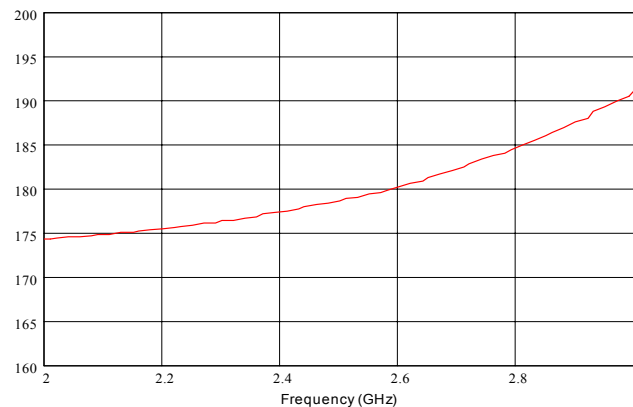
Return Loss (dB)



Amplitude Balance (dB)



Phase Balance (degree)



This electronic component is designed and developed with the intention for use in general electronics equipments. Before incorporating the components into any equipments in the field such as aerospace, aviation, nuclear control, submarine, transportation, (automotive control, train control, ship control), transportation signal, disaster prevention, medical, public information network etc. where higher safety and reliability are especially required or if there is possibility of direct damage or injury to human body. In addition, even electronic component in general electronic equipments when used in electrical circuits that require high safety, reliability functions or performance, the sufficient reliability evaluation-check for the safety must be performed before use. It is essential to give consideration when to install a protective circuit at the design stage.

Würth Elektronik eiSos GmbH & Co.KG

D-74638 Waldenburg · Max-Eyth-Str. 1 · Germany · Telefon (+49) (0) 7942 - 945 - 0 · Telefax (+49) (0) 7942 - 945 - 400

<http://www.we-online.de>

Spezifikation für Freigabe / specification for release

Kunde / customer :

Artikelnummer / part number :

748425245

LF

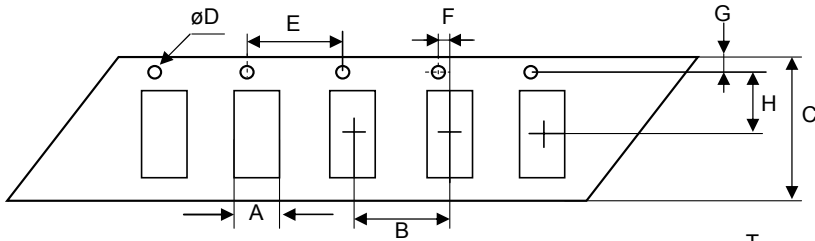


Bezeichnung :
description :

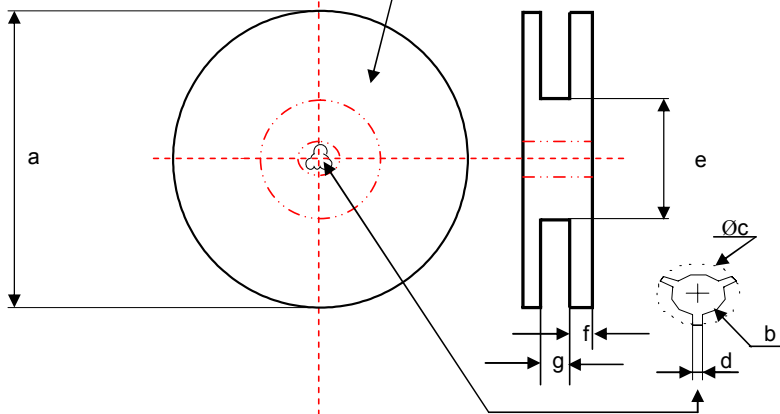
SMD-Balun WE-BAL
Chip-Balun WE-BAL

DATUM / DATE : 2004-10-11

I Rollenspezifikation / tape and reel specification :

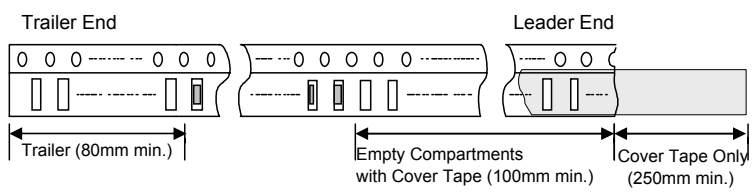
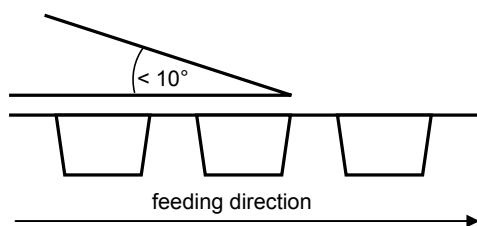


Gurtspezifikation / Tape specification:		
A	1,6 ± 0,1	mm
B	4,0 ± 0,1	mm
C	8,0 ± 0,2	mm
D	1,5 +0,1/-0,0	mm
E	4,0 ± 0,1	mm
F	2,0 ± 0,1	mm
G	1,75 ± 0,1	mm
H	3,5 ± 0,1	mm
I	2,4 ± 0,1	mm
J	1,3 max.	mm
T	0,2 ± 0,05	mm



Rollenspezifikation / Reel specification:		
a	178,0 ± 2,0	mm
b	13,0 ± 0,3	mm
c	21,8 ± 0,8	mm
d	2,0 ± 0,5	mm
e	60,0 ± 0,5	mm
f	1,2 ± 2,0	mm
g	9,0 ± 0,3	mm

The force for tearing off cover tape is 10 to 130 grams in arrow direction



Freigabe erteilt / general release:	Kunde / customer			
	Datum / date		Unterschrift / signature	
Geprüft / checked	Würth Elektronik			
	Kontrolliert / approved		AWe Version 1	04-10-11
		Name	Änderung / modification	Datum/date

Würth Elektronik eiSos GmbH & Co.KG

D-74638 Waldenburg · Max-Eyth-Str. 1 · Germany · Telefon (+49) (0) 7942 - 945 - 0 · Telefax (+49) (0) 7942 - 945 - 400
http://www.we-online.de