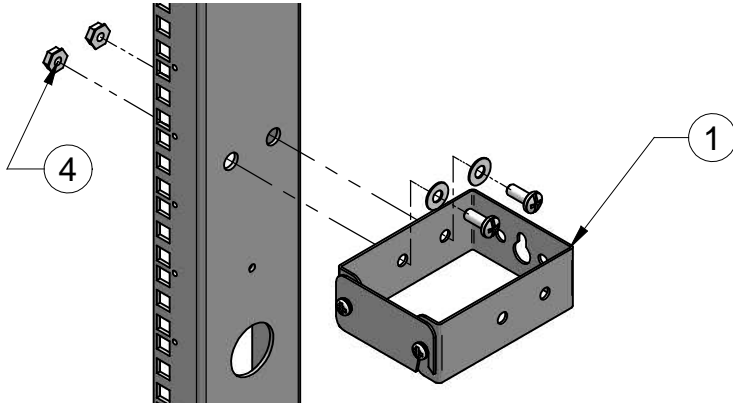


CMRC - SERIES

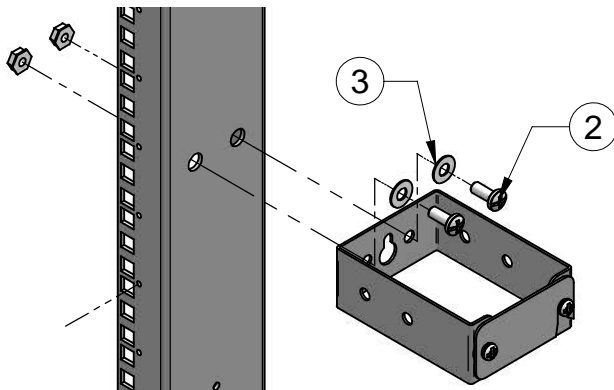
ASSEMBLY INSTRUCTIONS FOR CABLE MANAGEMENT RING CMRC34, CMRC36, CMRC126

BUL10397
REV. A
PAGE 1 OF 1

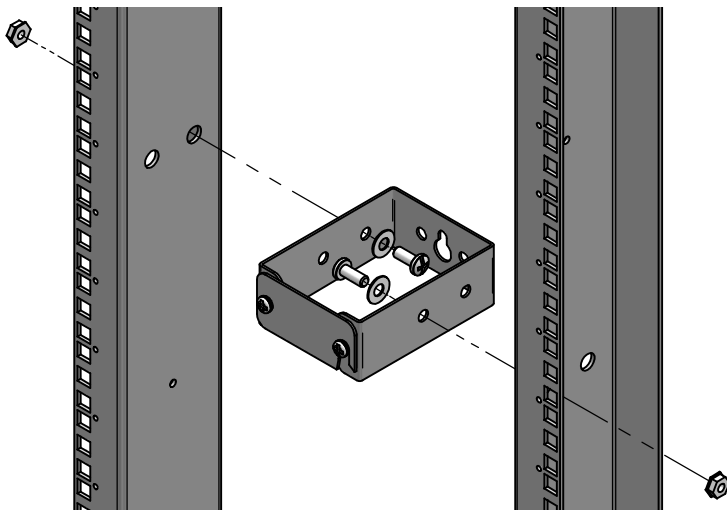
ASSEMBLY INSTRUCTIONS: USING SUPPLIED HARDWARE



CMRC REAR FLUSH WITH RELAY RACK

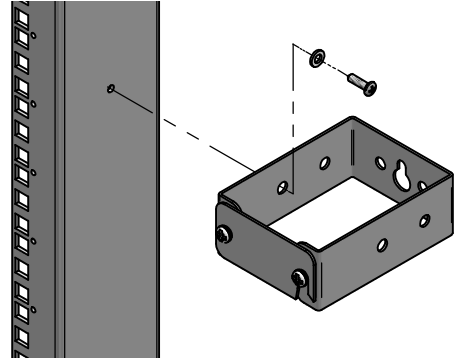


CMRC CENTERED ON RELAY RACK

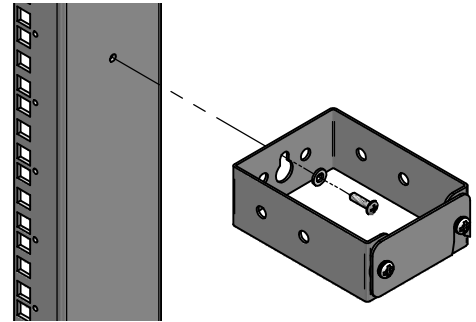


CMRC USED IN GANGING APPLICATION

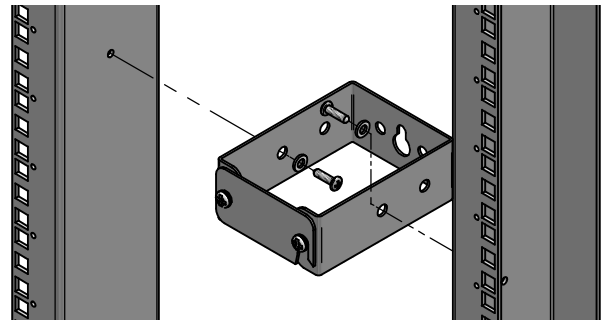
ASSEMBLY INSTRUCTIONS: FOR 10-32 OR 12-24 HOLES (HARDWARE NOT SUPPLIED)



SINGLE SIDE HOLE MOUNTING



CENTER REAR HOLE MOUNTING



ALTERNATIVE GANGING OPTION

PARTS LIST

ITEM No.	DESCRIPTION	QTY
1	CABLE MANAGEMENT RING	1
2	1/4-20 X 5/8 SCREW	2
3	1/4 FLAT WASHER	2
4	1/4-20 KEP NUT	2

TOOL BOX



Phillips
Screw Driver



Open End
Wrench



**HAMMOND
MANUFACTURING™**
ELECTRONICS GROUP

visit our website @ www.hammondmfg.com