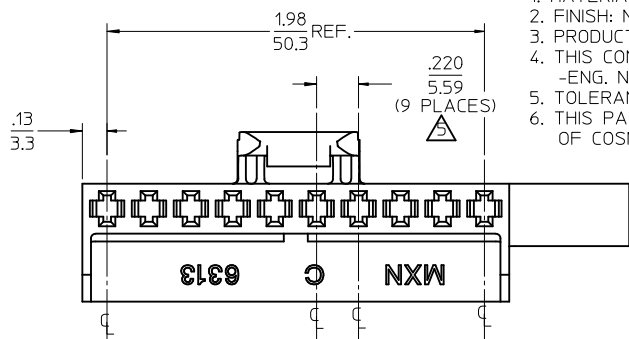


- NOTES:
1. MATERIAL: NYLON(PA66), UL94V-2, COLOR: SEE CHART
  2. FINISH: NONE
  3. PRODUCT SPECIFICATION: NONE
  4. THIS CONNECTOR HOUSING FOR USE WITH TERMINALS: -ENG. NO. 1508-0009
  5. TOLERANCE IS NOT ACCUMULATIVE.
  6. THIS PART CONFORMS TO CLASS B REQUIREMENTS OF COSMETIC SPECIFICATION PS-45499-002.

	MATERIAL NUMBER	ENGINEERING NUMBER	HOUSING COLOR
	006-02-1103	6313-3-10	NATURAL (WHITE/TRANSLUCENT)
OBSOLETE	006-02-1104	6313-3-10-RD	RED
	050-29-1555	6313-3-10-BU	BLUE



REVISION	DESCRIPTION
D2	

QUALITY SYMBOLS	GENERAL TOLERANCES (UNLESS SPECIFIED)
▽=0	mm INCH
▽=0	4 PLACES ± --- ± ---
	3 PLACES ± --- ± .005
	2 PLACES ± 0.13 ± .010
	1 PLACE ± 0.25 ± ---
	ANGULAR ± 1/2°
	DRAFT WHERE APPLICABLE MUST REMAIN WITHIN DIMENSIONS

DIMENSION STYLE		SCALE		DESIGN UNITS	
IN/MM		2:1		INCH	
DRAWN BY	DATE	TITLE			
AELHAG	2011/05/16	HOUSING, CONNECTOR FOR MOTOR SWITCH APPLICATION			
CHECKED BY	DATE	MATERIAL NO.			
JBELL	2011/05/16	SEE CHART			
APPROVED BY	DATE	DOCUMENT NO.			
		SD-6313-3-10			

THIRD ANGLE PROJECTION	
MOLEX INCORPORATED	
SHEET NO. 1 OF 1	
THIS DRAWING CONTAINS INFORMATION THAT IS PROPRIETARY TO MOLEX INCORPORATED AND SHOULD NOT BE USED WITHOUT WRITTEN PERMISSION	