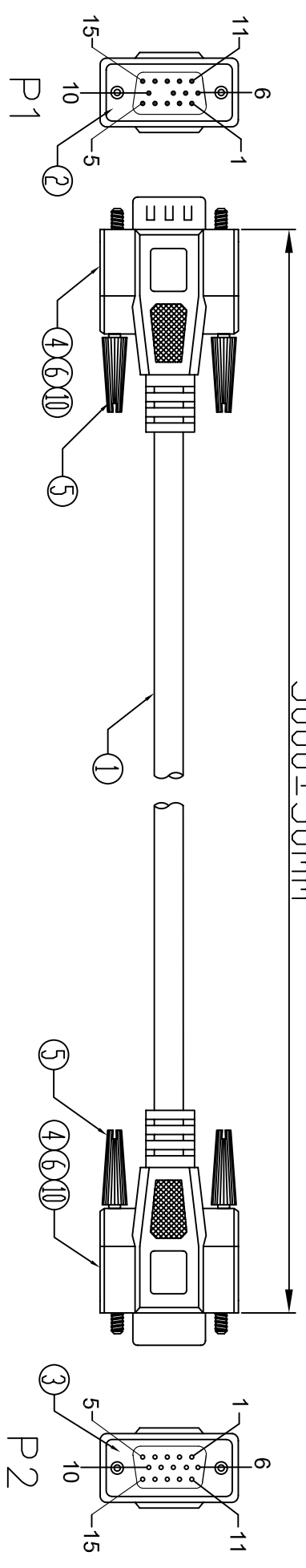
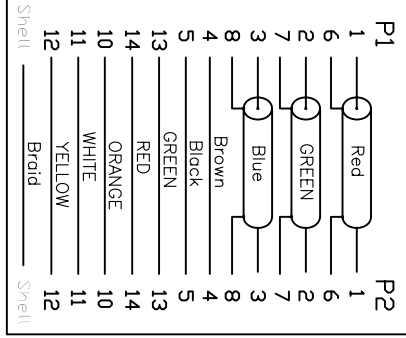


UNIT:mm



Electronic Test:
 1.100% Test,(Open,Short,Miss Wire)
 2.Contact Resistance:3 ohm max.
 3.Insulation Resistance:5M ohm min.
 4.Hi-Pot:300V DC/10ms

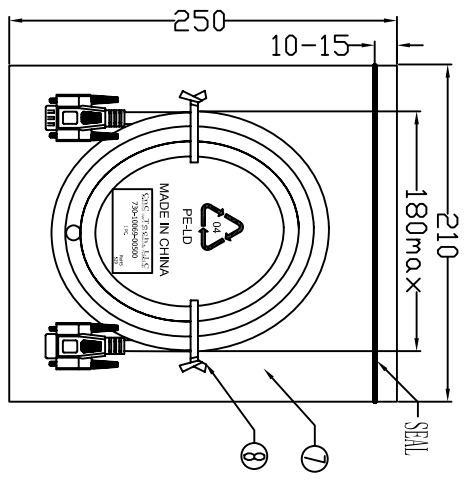
PIN ASSIGNMENT



⑩	TUBE	14	HEAT SHRINK TUBE BLACK OD1.5* $L=15MM$ +2PCS.OD1.5* $L=10MM$ +6PCS.OD3.0* $L=8MM$ +6PCS,
⑨	PE BAG	1/5	CLEAR SIZE:360*380*0.05mm PRINT BLACK*MADE IN CHINA**9PCS* 及印生产日期,有透气孔.
⑧	TIE	3	WHITE L=250mm
⑦	PE BAG	1	CLEAR SIZE:210*250*0.05mm PRINT BLACK*MADE IN CHINA* 及印生产日期,有透气孔.
⑥	COPPER FOIL	2	DOUBLE-SIDED CONDUCTIVE COPPER FOIL 18U" W25mm* $L=55mm$
⑤	SCREW	4	SCREW:#4-40UNC L47mm,NICKEL PLATED,INSULATION COLOR BEIGE(V-29)
④	OUT JACKET	43.5g	BEIGE(V-29) 40P PVC(MOULD NO:MM-113)
③	INN JACKET	8g	CLEAR LDPE(MOULD NO:MM-049)
②	CONN	1	HDD15P FEMALE/PIN G/F-SHELL-NICKEL,INSULATION COLOR:BLACK. SOLDER TYPE.
①	CABLE	1	UL2919 28AWG(1C+S)*3C0AX+24AWG(7/0.20 TC)*7C+AL/NY+D(W(7/0.20 TC)+B(16/6/0.10)+OUTER JACKET COROL:BEIGE(V-29) OD:8.5±0.15mm. L=5000±20mm.

CNC Tech, LLC
 Industrial Cable and Connector Technology

DRAWN BY	ZHONGHS	DRAWING NO.	
CHECKED BY		CUSTOMER	
APPROVAL BY		ITEM NO.	730-10069-00500
DECIDE BY		DATE	2012-02-17
VERSIONS/EDITION	A/0	PROJECTION	



4 3 2 1