

### Standard Faders for Audio Mixers Slide Potentiometers

Japan  
Malaysia

Type: **EWAP1/EWAP3/EWAQ1/EWAQ3**



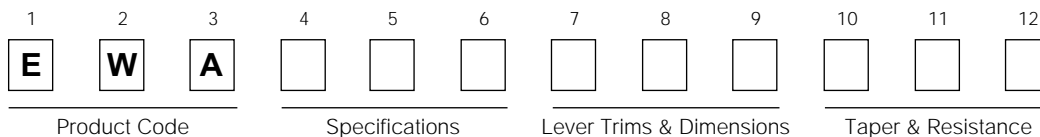
#### ■ Features

- Excellent operational feel:  
Clear clicking action for heat controllers.  
Smooth sliding action for Electronic Musical Instruments.
- Low noise, long operating life, highly-accurate attenuation.
- Light operating force available.

#### ■ Recommended Applications

- Fade control for popular types of audio mixers, musical keyboards
- Heat control or mode switching for automobile air conditioners
- Measurement Instruments

#### ■ Explanation of Part Numbers

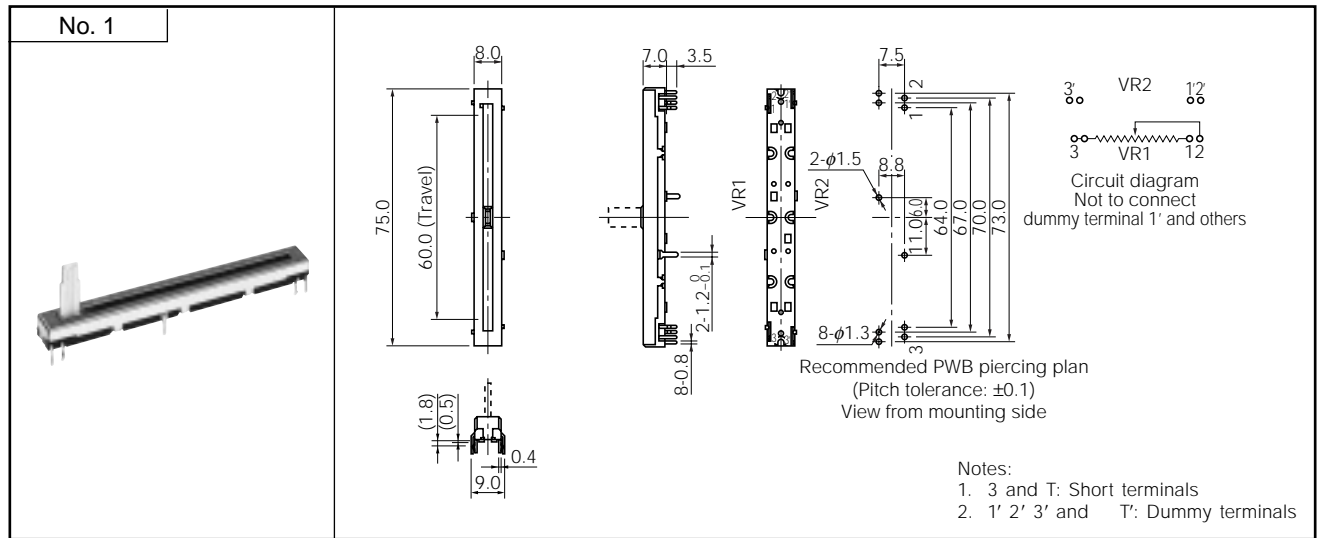


#### ■ Specifications

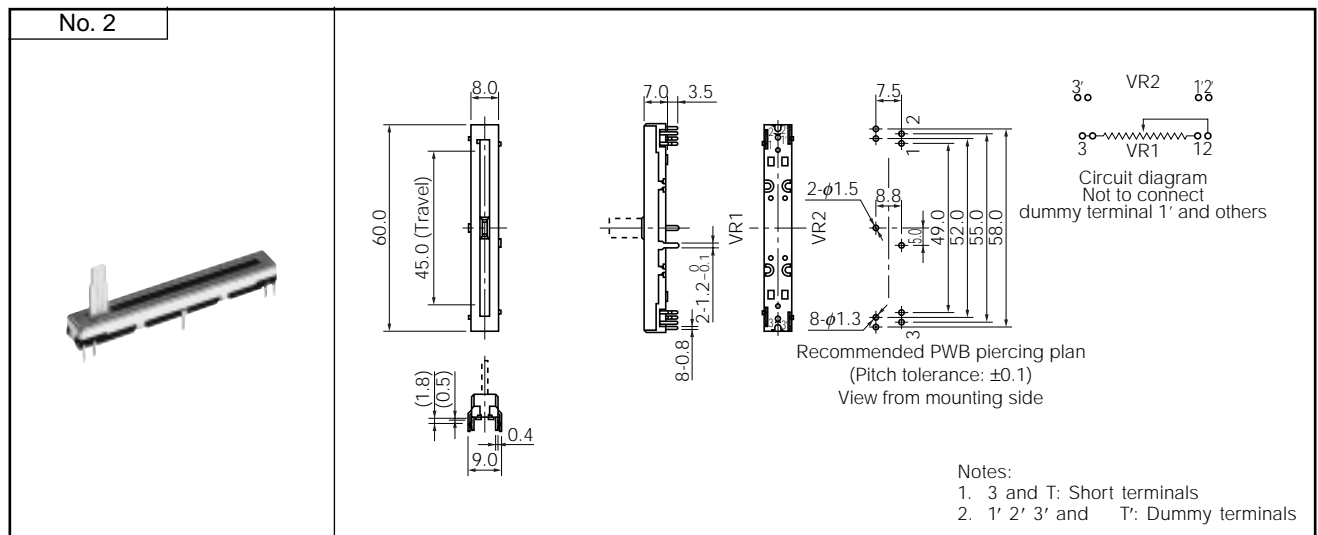
	Taper		
	60.0 mm Type	Taper B	Others
Power Rating	60.0 mm Type	0.12 W	0.06 W
	45.0 mm Type	0.10 W	0.05 W
Resistance	10 k $\Omega$ , 20 k $\Omega$ , 50 k $\Omega$	Single $\pm$ 20 %	+40 % -20 %
		Dual $\pm$ 20 %	—
Taper	A, B, D, Y (Custom tapers also available)		
Maximum Attenuation	Single type: 100 dB min.(Except taper B) Dual type: 70 dB min.(Except taper B)		
Insulation Resistance	100 M $\Omega$ min. at 200 Vdc		
Dielectric Withstand Voltage	300 Vac for 1 minute		
Operating Force	0.1 N to 1.5 N		
Operating Life	30000 cycles min.		
Minimum Quantity/Packing Unit	EWAP1	50 pcs. (Tray Pack)	Lever length < 20.0 mm Lever length > 21.0 mm
	EWAP3		
	EWAQ1	50 pcs. (Tray Pack)	
	EWAQ3	25 pcs. (Tray Pack)	
Quantity/Carton	EWAP1	500 pcs.	Lever length < 20.0 mm Lever length > 21.0 mm
	EWAP3		
	EWAQ1	500 pcs.	
	EWAQ3	250 pcs.	

■ Dimensions in mm (not to scale)

- 60.0 mm Travel, Single .....EWAQ1
- Dual .....EWAQ3



- 45.0 mm Travel, Single .....EWAP1
- Dual .....EWAP3



Notes: Refer to the drawing below for terminal alignment of dual slide potentiometers and single, dc version.

### Terminal Numbers of Single, DC Version

