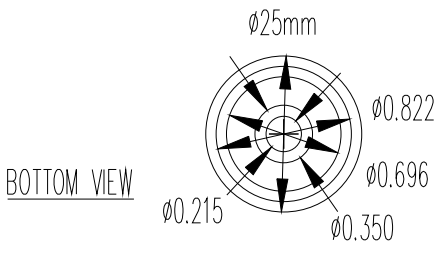
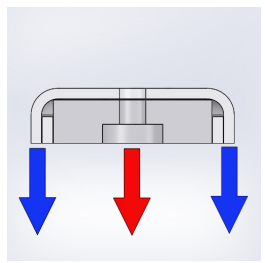
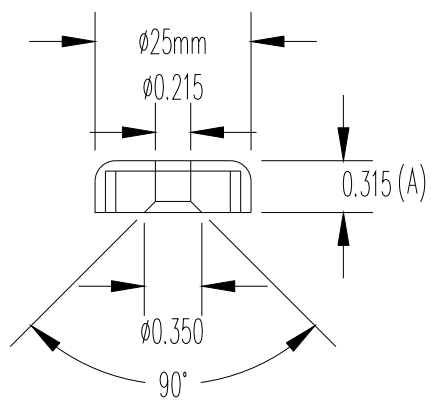
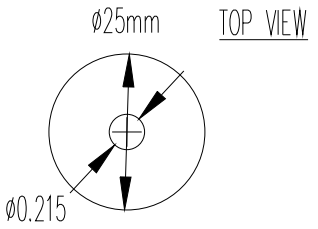


REVISIONS			
LTR	DESCRIPTION	DATE	APPROVED
—	INITIAL RELEASE		H D



UNLESS OTHERWISE SPECIFIED
DIMENSIONS ARE IN INCHES

TOLERANCES:
FRACTIONS: $\pm 1/64$
DECIMALS: ± 0.015
ANGLES: $\pm 1^\circ$

MATERIAL: NdFeB

FINISH: NiCuNi

RADIAL MAGNETS INC.				
108B NW 20th St. BOCA RATON, FL 33431 (561)392-2103				
SHAPE	STRENGTH	PLATING	SIZE AND DIRECTION OF MAGNETIZATION (A)	
POT	N35	NiCuNi	POT A25	↑
SIZE A	PART # 8219	DRAWING # RM8219	REVISION -	
SCALE 1 : 1	DRAWN: CG	CHECKED: HD	APPROVED: HD	PAGE 1 OF 1